

Nov. 24, 1953

E. A. WAGNER

Des. 170,956

TRACTOR

Filed Sept. 21, 1953

4 Sheets-Sheet 1

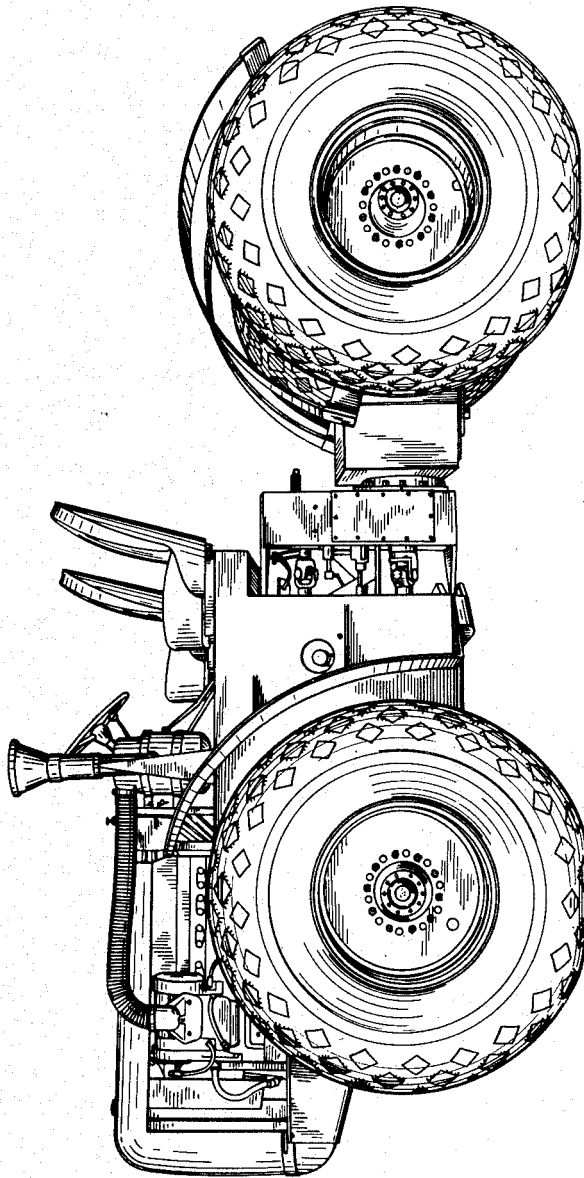


Fig. 1

INVENTOR.
ELMER A. WAGNER
BY

Buckhorn and Cheatham
ATTORNEY

Nov. 24, 1953

E. A. WAGNER

Des. 170,956

TRACTOR

Filed Sept. 21, 1953

4 Sheets-Sheet 2

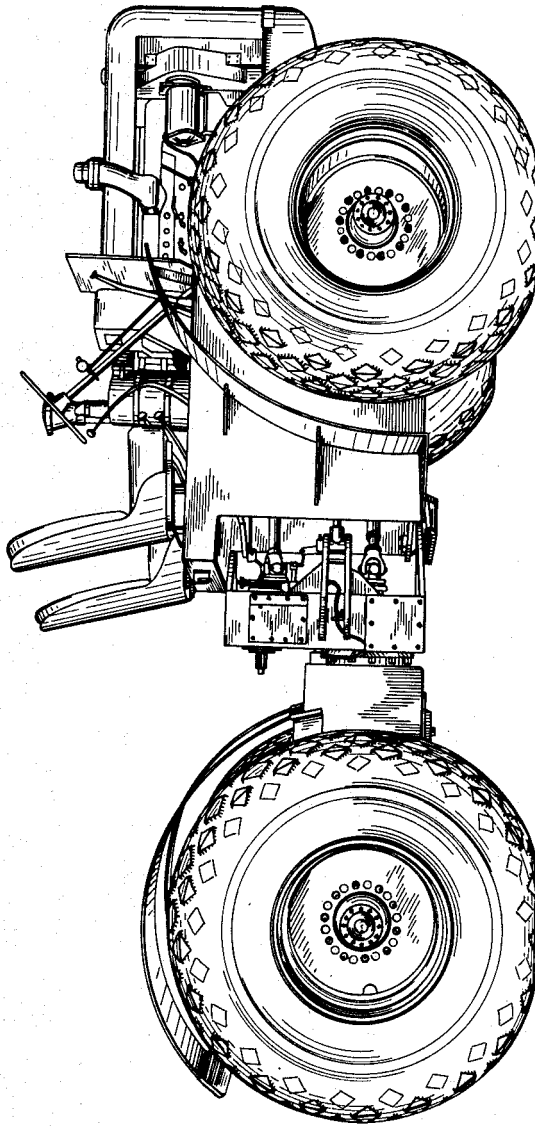


Fig. 2

INVENTOR.
ELMER A. WAGNER

BY

Buckhorn and Cleithorn
ATTORNEY

Nov. 24, 1953

E. A. WAGNER

Des. 170,956

TRACTOR

Filed Sept. 21, 1953

4 Sheets-Sheet 3

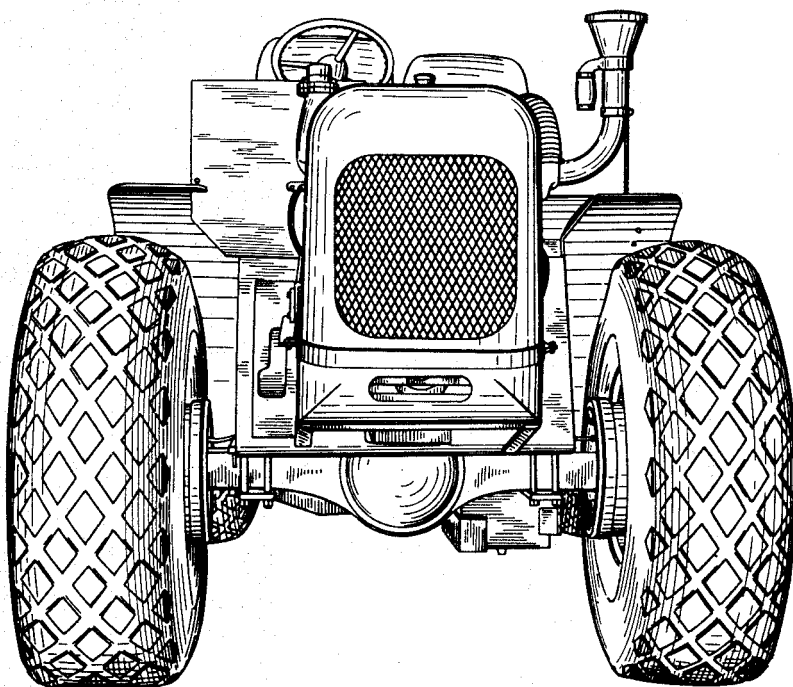


Fig. 3

INVENTOR.
ELMER A. WAGNER
BY

Buckhorn and Cheatham

ATTORNEY

Nov. 24, 1953

E. A. WAGNER

Des. 170,956

TRACTOR

Filed Sept. 21, 1953

4 Sheets-Sheet 4

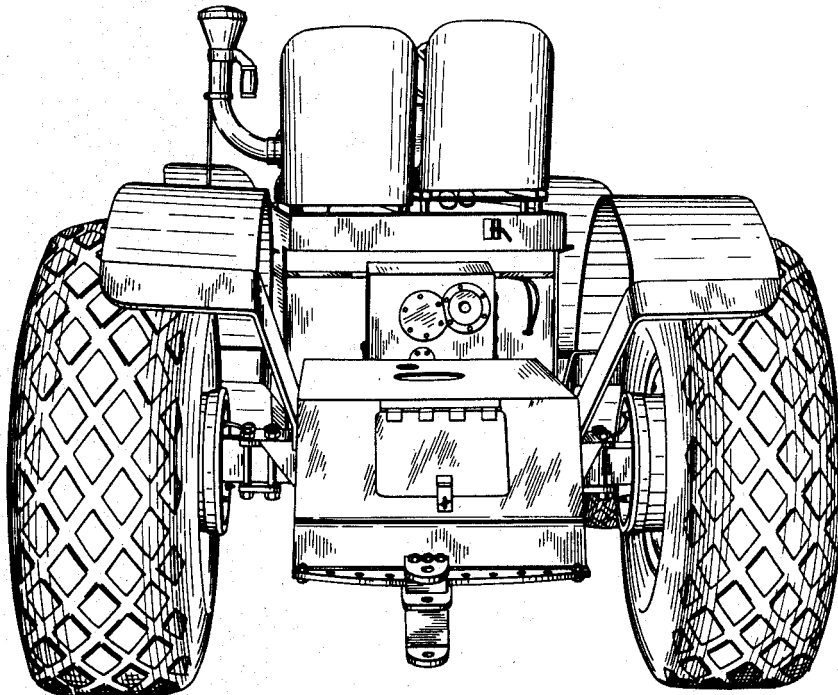


Fig. 4

INVENTOR.
ELMER A. WAGNER

BY

Buckner and Cleghorn

ATTORNEY

UNITED STATES PATENT OFFICE

170,956

TRACTOR

Elmer A. Wagner, Portland, Oreg.

Application September 21, 1953, Serial No. 26,883

Term of patent 14 years

(Cl. D14—3)

To all whom it may concern:

Be it known that I, Elmer A. Wagner, a citizen of the United States of America, and a resident of Portland, county of Multnomah, State of Oregon, have invented a new, original, and ornamental Design for a Tractor, of which the following is a specification, reference being had to the accompanying drawings, forming a part hereof.

Fig. 1 is a left side view of a tractor embodying my new design;

Fig. 2 is a right side view;

Fig. 3 is a front view; and

Fig. 4 is a rear view.

I claim:

The ornamental design for a tractor, as shown.

ELMER A. WAGNER.

References Cited in the file of this patent

UNITED STATES PATENTS

Number	Name	Date
D. 113,555	Erickson	Feb. 28, 1939
D. 162,850	Le Tourneau	Apr. 10, 1951
D. 163,298	Le Tourneau	May 15, 1951
2,491,283	Schoenrock	Dec. 13, 1949