

189,529

TRACTOR

Elmer A. Wagner, Portland, Oreg., assignor to Wagner  
Tractor Inc., Portland, Oreg., a corporation of Oregon

Filed Nov. 9, 1959, Ser. No. 58,279

Term of patent 14 years

(Cl. D14—3)

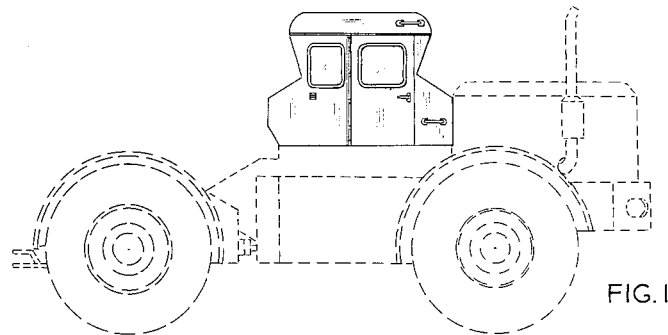


FIG. 1

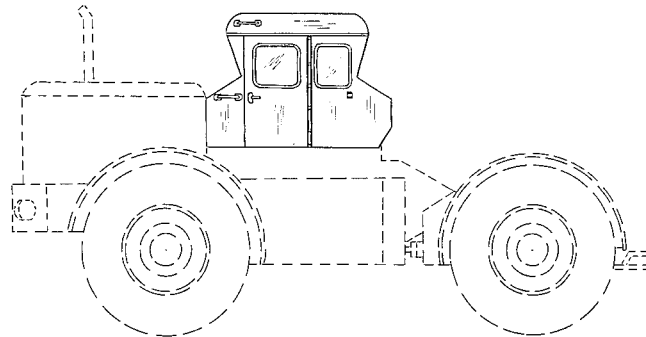


FIG. 2

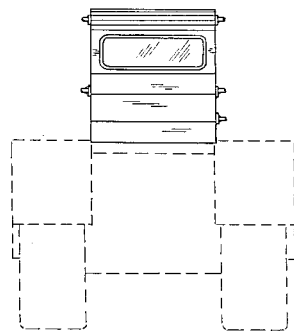


FIG. 3

Fig. 1 is a right side elevation showing the design of the tractor;

Fig. 2 is a left side elevation showing the design of the tractor;

Fig. 3 is a rear elevation showing the design of the tractor.

The front of the full line portions of the tractor is substantially similar to the rear, and the top portion thereof is substantially plain.

The essential features of my design reside in the portions shown in full lines.

I claim:

The design for a tractor, substantially as illustrated and described.

References Cited in the file of this patent

UNITED STATES PATENTS

2,256,890	Brown et al. -----	Sept. 23, 1941
2,423,748	Acheson -----	July 8, 1947
2,532,948	Sanden -----	Dec. 5, 1950
2,557,339	Campbell -----	June 19, 1951